

Who:

(A. Jain, B. Parker) / BNL,
(N. Walker, + *Others*) / DESY
(V. Shiltsev, *T. Sen*) / FNAL,
(*Involved People*) / LHC +...

Available Magnets:

LHC Dipole (BNL Magcool)
HERA Upgrade Quads
and/or TTF Cryo Module
FNAL TEV Dipole (*stand?*)

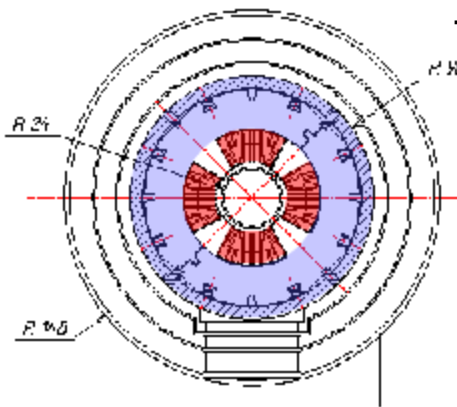
Objectives:

- Develop Measurement Coil Techniques.
 - inside aperture (**tough**)
 - outside cryostat (**easy**)
- Try interferometry on cold mass.

Engineering analysis is needed hand-in-hand with measurements (Do we understand?). Make small steps now and form lab contact points. Develop areas of common interest.

Final Goal:

Prototype LC FF Quadrupole (verification).



Traditional

Massive Coil/Yoke
Support Via Posts

BEPC-II (HERA Upgrade)

Light Weight
X/Y Constrained

Different resonance structure/modes?
Different driving terms (cooling & leads)?
Is anything common with PM quad solution?

